



# SLIMLINE MAGNETIC LOCK (600LB / 280KG)

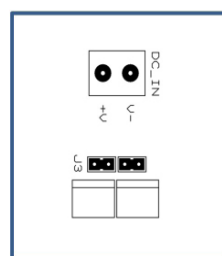
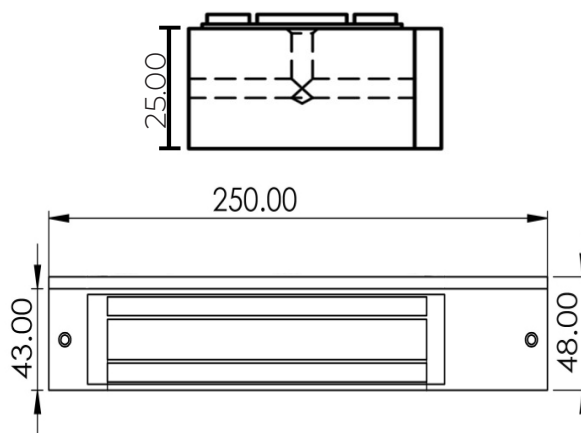
**MAGNETIC LOCK**

Fire tested range of maglocks and brackets from a market leader in access control.

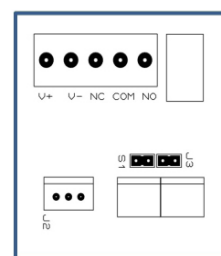
**FIRE TESTED** to  
BSEN1634-1-2014 & BS476:Part22:1987  
(30, 60, 90 & 120 min timber door-sets)



**ML600 / ML600-M**



**ML600**



**ML600-M**

**SPECIFICATION**

- ML600 / ML600-M
- 280kgs (600lb) holding force
  - Dual voltage 12/24 VDC @ 480/240mA
  - +/- 15% voltage tolerance
  - Built in surge protection
  - Aluminium housing
  - Surface mount
  - Fail safe operation (power to lock)
  - -10° to +50° operating temperature
  - Push off release pin on armature (adjustable)

- ML600-M
- Monitored
  - Voltage free relay contacts

(For Door Status Maglock see ML600-MDS)

**FEATURES**

- ML600 / ML600-M
- Fire rated (30, 60, 90 & 120 min timber door set)
  - Slimline mini magnet
  - Clean and compact design
  - No residual magnetism
  - Power LED indication on ML600 (Red LED only)
  - Status LED indication on ML600-M (Red to Green)

Suitable Brackets/Housings:

- BK600ZL (ZL bracket)
  - BK600-F-L/AB (Architectural F/ZL)
  - AB600ZL-DC (Architectural ZL)
  - GD600ZL (Glass Door ZL)
- INWARD
- BK600L (L Bracket)
  - AB600CL (Architectural L)
  - ADJ600-L (Highly adjustable L)
  - AH600 (Required for Fire Doors)
  - BK600U (Glass door bracket)
- OUTWARD

**OTHER PRODUCTS**

**EBNT/TF-1**



**120ISM-1**



**BK600-F-L/AB**



**DU-GB/PTE**



**DIMENSIONS**

- ML600 / ML600-M
- 250x48x25 (mm) Maglock (LxWxD)
  - 180x38x13 (mm) Armature (LxWxD)
  - 1.97kg Boxed
  - 1.13kg Unboxed

**CONTENTS**

- ML600 / ML600-M
- Slimline mini magnet (600lb)
  - Armature plate
  - 600GB fixing kit
  - Instructions
  - Armature fixing template



Manufactured by a BSIA Member