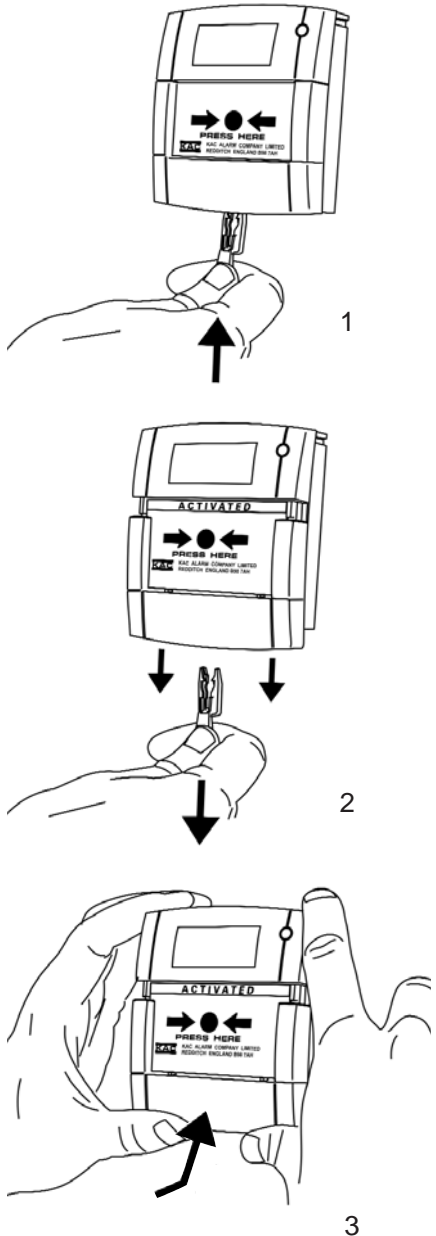
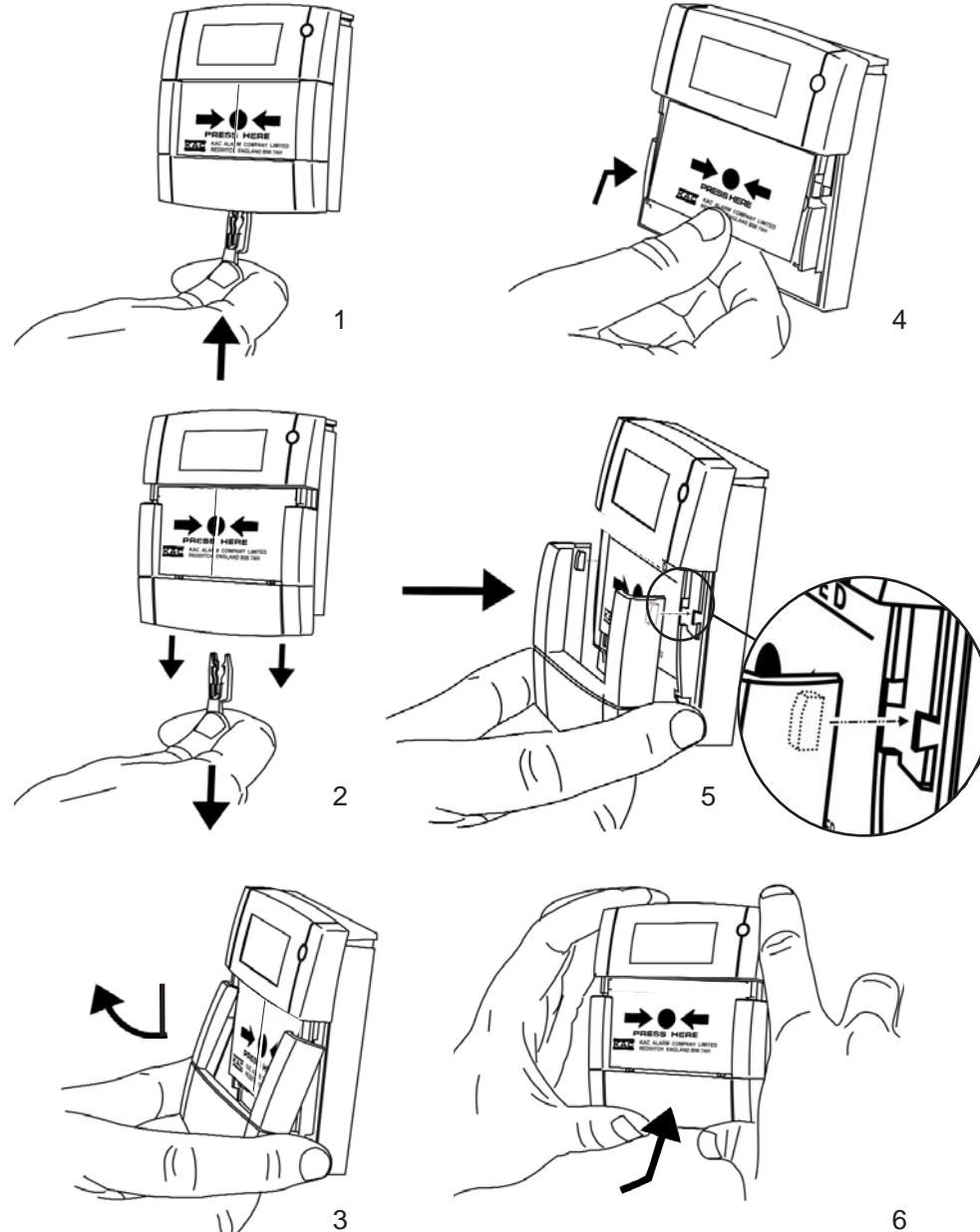
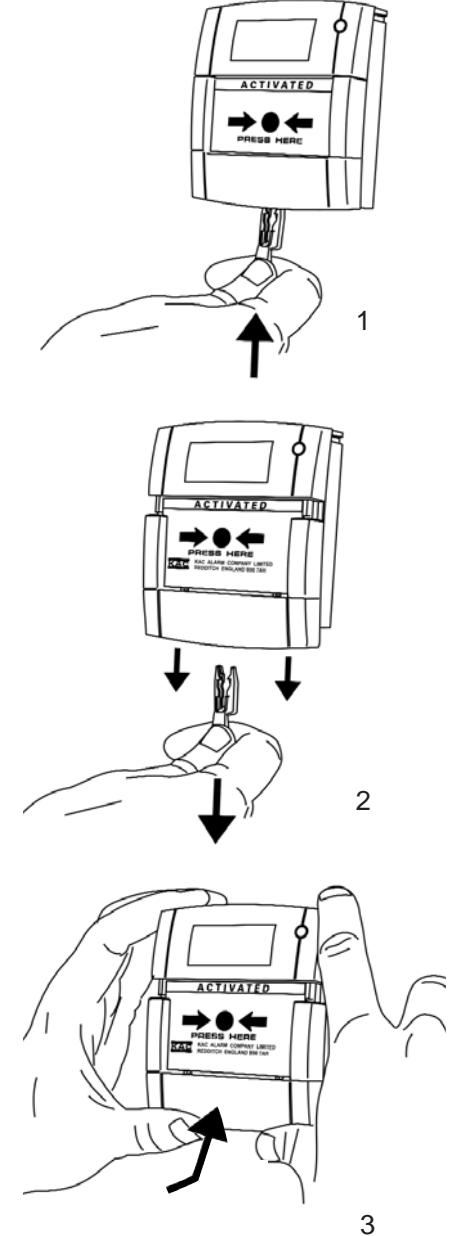


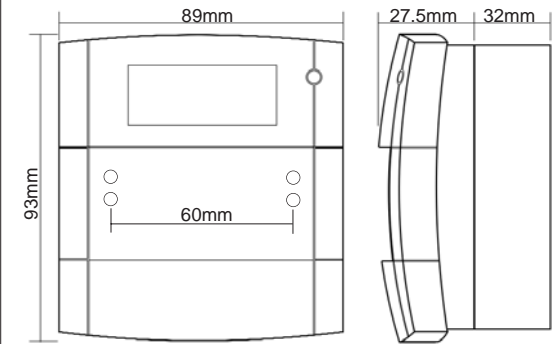
TO TEST**TO REPLACE GLASS / RESETTABLE ELEMENT****TO RESET**

CONNECTION DETAILS	MCP1A-X	MCP1B-X	MCP2A-X	MCP2B-X
<p>OR</p>				

X in the MCP code (left) represents the final digits of the part number, which indicate MCP colour, component values, mounting options and element type.

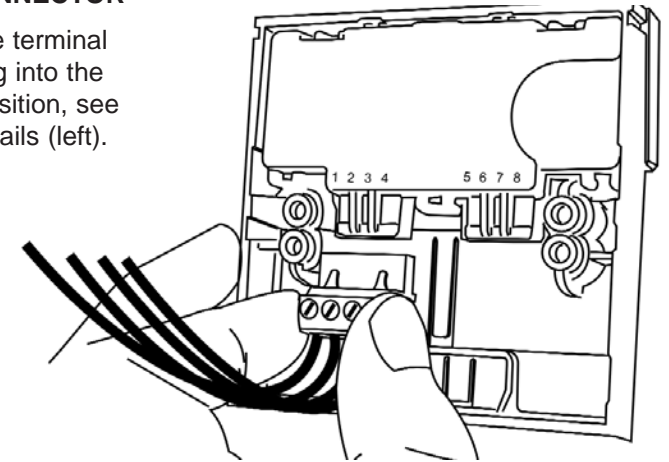
eg MCP1A -R470SF = (MCP1A, Red, 470R, Surface, Flexible Element).

DIMENSIONS



PUSH FIT CONNECTOR

After wiring the terminal connector, plug into the appropriate position, see connection details (left).



CONNECTION DETAILS	MCP3A-X	CONNECTION DETAILS	MCP4A-X
<p>OR</p>		<p>OR</p>	

TECHNICAL DATA



30VDC Max



2A Max



IP24D



110/160g



-10°C to 55°C



Red, Ral 3001
Yellow, Ral 1006
Green, Ral 6016
White, Ral 9010
Blue, Ral 5002



IMPORTANT NOTE:
PLEASE DO NOT OVER
TIGHTEN FIXING SCREWS